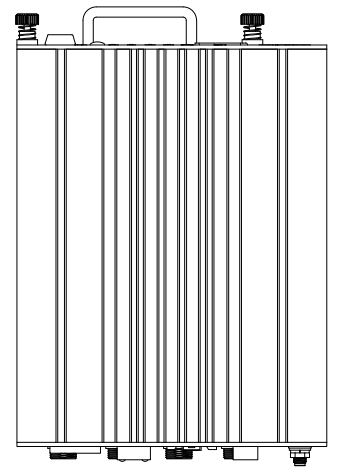
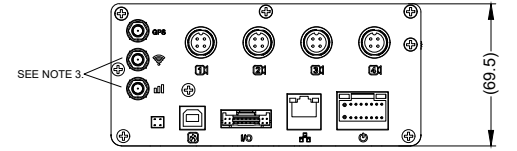
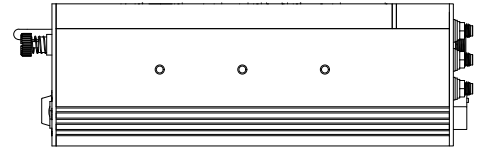
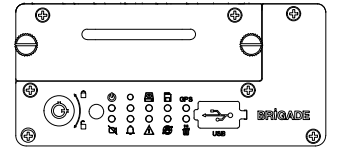
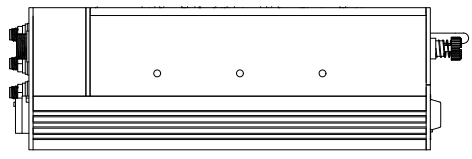
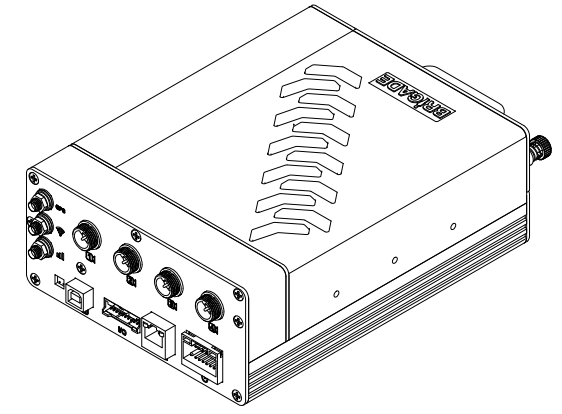
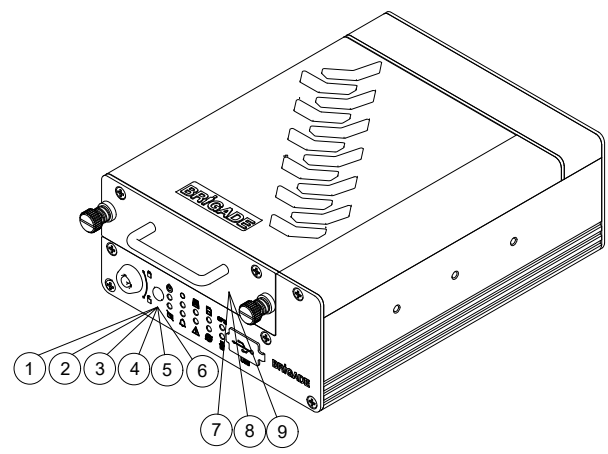
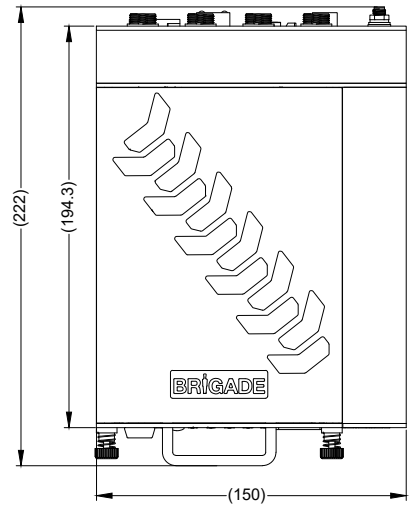


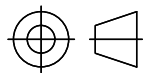
Revision Notes.				
R1 - ADDING NEW MODELS (DIFFERENT COMBINATION OF DOCKING STATION AND MCU); ADDING NORTH AMERICAN VARIANT MDRS				
APA: CAROL LI	Drawn:S. ZHANG	Checked:R. BATES	Approved:D. WALLIN	Date: 28/09/18



- NOTES:**
1. REFERENCE INSTRUCTION MANUAL FOR FUNCTIONALITY.
  2. ANY CUSTOMER MODIFICATION OF THIS PRODUCT CAUSING SUBSEQUENT FAILURE IS NOT A LIABILITY OF BRIGADE ELECTRONICS GROUP PLC.
  3. MOBILE NETWORK AND Wi-Fi CAPABILITIES DEPEND ON MODEL AND AVAILABILITY.
  4. VARIOUS SYSTEM OPTIONS A, B, C OR D CONTAIN RELEVANT COMPONENTS.

**PROPRIETARY NOTICE**  
 THIS DESIGN AND TECHNICAL INFORMATION APPEARING ON THIS DRAWING IS THE PROPERTY OF BRIGADE ELECTRONICS, AND IS DISCLOSED IN CONFIDENCE. IT IS NOT TO BE COPIED, REPRODUCED, REVEALED TO OR EXPROPRIATED BY OTHERS, EITHER IN WHOLE OR IN PART WITHOUT THE EXPRESS WRITTEN CONSENT OF BRIGADE ELECTRONICS.

**BRIGADE**  
 www.brigade-electronics.com

Assembly Pl Approval SOFIA ZHANG	Approved by B. JOHN	Checked by R. PENTLEY	Drawn by L. PILLAY
Sheet No 1 of 3	Angle of Projection  Third Angle	Units mm	Scale N/A
Status RELEASED	Released 03/05/17	Released 03/05/17	Assembly Ref N/A
Part No VARIOUS	MDR-504XX-XXXX-CU		
		BE-003409-01-16	

Revision Notes.				
R1 - ADDING NEW MODELS (DIFFERENT COMBINATION OF DOCKING STATION AND MCU); ADDING NORTH AMERICAN VARIANT MDRS				
APA: CAROL LI	Drawn:S. ZHANG	Checked:R. BATES	Approved:D. WALLIN	Date: 28/09/18

SYSTEM	PART NUMBER	QTY	MODEL NUMBER	DESCRIPTION
(A)	5130	1	MDR-504-500-CU	MOBILE DIGITAL RECORDER CONTROL UNIT WITH 500GB HDD, GPS & 32GB SD CARD
(B)	5134	1	MDR-504GW-500-CU	MOBILE DIGITAL RECORDER CONTROL UNIT WITH 500GB HDD, GPS, 4G, Wi-Fi & 32GB SD CARD
(C)	5136	1	MDR-504G-500-CU	MOBILE DIGITAL RECORDER CONTROL UNIT WITH 500GB HDD, GPS, 4G & 32GB SD CARD
(D)	5139	1	MDR-504W-500-CU	MOBILE DIGITAL RECORDER CONTROL UNIT WITH 500GB HDD, GPS, Wi-Fi & 32GB SD CARD
(E)	5562	1	MDR-504-1000-CU	MOBILE DIGITAL RECORDER CONTROL UNIT WITH 1TB HDD, GPS & 32GB SD CARD
(F)	5574	1	MDR-504GW-1000-CU	MOBILE DIGITAL RECORDER CONTROL UNIT WITH 1TGB HDD, GPS, 4G, Wi-Fi & 32GB SD CARD
(G)	5570	1	MDR-504G-1000-CU	MOBILE DIGITAL RECORDER CONTROL UNIT WITH 1TB HDD, GPS, 4G & 32GB SD CARD
(H)	5566	1	MDR-504W-1000-CU	MOBILE DIGITAL RECORDER CONTROL UNIT WITH 1TB HDD, GPS, Wi-Fi & 32GB SD CARD
(I)	5564	1	MDR-504-2000-CU	MOBILE DIGITAL RECORDER CONTROL UNIT WITH 2TB HDD, GPS & 32GB SD CARD
(J)	5576	1	MDR-504GW-2000-CU	MOBILE DIGITAL RECORDER CONTROL UNIT WITH 2TGB HDD, GPS, 4G, Wi-Fi & 32GB SD CARD
(K)	5572	1	MDR-504G-2000-CU	MOBILE DIGITAL RECORDER CONTROL UNIT WITH 2TB HDD, GPS, 4G & 32GB SD CARD
(L)	5568	1	MDR-504W-2000-CU	MOBILE DIGITAL RECORDER CONTROL UNIT WITH 2TB HDD, GPS, Wi-Fi & 32GB SD CARD
(M)	5507	1	MDR-504GW-500-CU(NA)	MOBILE DIGITAL RECORDER CONTROL UNIT WITH 500GB HDD, GPS, 4G, Wi-Fi & 32GB SD CARD, NORTH AMERICAN VARIANT
(N)	5537	1	MDR-504G-500-CU(NA)	MOBILE DIGITAL RECORDER CONTROL UNIT WITH 500GB HDD, GPS, 4G & 32GB SD CARD, NORTH AMERICAN VARIANT
(O)	5553	1	MDR-504GW-1000-CU(NA)	MOBILE DIGITAL RECORDER CONTROL UNIT WITH 1TGB HDD, GPS, 4G, Wi-Fi & 32GB SD CARD, NORTH AMERICAN VARIANT
(P)	5549	1	MDR-504G-1000-CU(NA)	MOBILE DIGITAL RECORDER CONTROL UNIT WITH 1TB HDD, GPS, 4G & 32GB SD CARD, NORTH AMERICAN VARIANT
(Q)	5555	1	MDR-504GW-2000-CU(NA)	MOBILE DIGITAL RECORDER CONTROL UNIT WITH 2TGB HDD, GPS, 4G, Wi-Fi & 32GB SD CARD, NORTH AMERICAN VARIANT
(R)	5547	1	MDR-504G-2000-CU(NA)	MOBILE DIGITAL RECORDER CONTROL UNIT WITH 2TB HDD, GPS, 4G & 32GB SD CARD, NORTH AMERICAN VARIANT

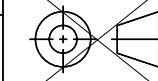


**NOTES:**

1. REFERENCE INSTRUCTION MANUAL FOR FUNCTIONALITY.
2. ANY CUSTOMER MODIFICATION OF THIS PRODUCT CAUSING SUBSEQUENT FAILURE IS NOT A LIABILITY OF BRIGADE ELECTRONICS GROUP PLC.
3. MOBILE NETWORK AND Wi-Fi CAPABILITIES DEPEND ON MODEL AND AVAILABILITY.
4. VARIOUS SYSTEM OPTIONS A, B, C OR D CONTAIN RELEVANT COMPONENTS.

**PROPRIETARY NOTICE**

THIS DESIGN AND TECHNICAL INFORMATION APPEARING ON THIS DRAWING IS THE PROPERTY OF BRIGADE ELECTRONICS, AND IS DISCLOSED IN CONFIDENCE. IT IS NOT TO BE COPIED, REPRODUCED, REVEALED TO OR EXPROPRIATED BY OTHERS, EITHER IN WHOLE OR IN PART WITHOUT THE EXPRESS WRITTEN CONSENT OF BRIGADE ELECTRONICS.

Sheet No 2 of 3	Assembly Pl Approval SOFIA ZHANG	Approved by B. JOHN	Checked by R. PENTLEY	Drawn by L.PILLAY
	Angle of Projection 	Units mm	Scale N/A	Released 03/05/17
www.brigade-electronics.com		Status RELEASED	MDR-504XX-XXXX-CU	
		Part No VARIOUS	BE-003409-01-16	

Revision Notes:				
R1 - ADDING NEW MODELS (DIFFERENT COMBINATION OF DOCKING STATION AND MCU); ADDING NORTH AMERICAN VARIANT MDRS				
APA: CAROL LI	Drawn:S. ZHANG	Checked:R. BATES	Approved:D. WALLIN	Date: 28/09/18

ITEM	①	②	③	④	⑤	⑥	⑦	⑧	⑨
DESCRIPTION	DOCKING STATION WITH GPS, G-SENSOR AND 32GB SD CARD	DOCKING STATION WITH GPS, G-SENSOR, 4G, WI-FI AND 32GB SD CARD	DOCKING STATION WITH GPS, G-SENSOR, 4G, WI-FI AND 32GB SD CARD, NORTH AMERICAN VARIANT	DOCKING STATION WITH GPS, G-SENSOR, WI-FI AND 32GB SD CARD	DOCKING STATION WITH GPS, G-SENSOR , 4G AND 32GB SD CARD	DOCKING STATION WITH GPS, G-SENSOR , 4G AND 32GB SD CARD, NORTH AMERICAN VARIANT	MOBILE CADDY UNIT WITH 500GB HDD	MOBILE CADDY UNIT WITH 1TB HDD	MOBILE CADDY UNIT WITH 2TB HDD
MODEL NUMBER	MDR-504-DS	MDR-504GW-DS	MDR-504GW-DS(NA)	MDR-504W-DS	MDR-504G-DS	MDR-504G-DS(NA)	MDR-500-500-MCU	MDR-500-1000-MCU	MDR-500-2000-MCU
PART NUMBER	5131	5135	5508	5140	5137	5538	5132	5157	5330
MDR-504-500 QTY	1	-	-	-	-	-	1	-	-
MDR-504GW-500 QTY	-	1	-	-	-	-	1	-	-
MDR-504G-500 QTY	-	-	-	-	1	-	1	-	-
MDR-504W-500 QTY	-	-	-	1	-	-	1	-	-
MDR-504-1000 QTY	1	-	-	-	-	-	-	1	-
MDR-504GW-1000 QTY	-	1	-	-	-	-	-	1	-
MDR-504G-1000 QTY	-	-	-	-	1	-	-	1	-
MDR-504W-1000 QTY	-	-	-	1	-	-	-	1	-
MDR-504-2000 QTY	1	-	-	-	-	-	-	-	1
MDR-504GW-2000 QTY	-	1	-	-	-	-	-	-	1
MDR-504G-2000 QTY	-	-	-	-	1	-	-	-	1
MDR-504W-2000 QTY	-	-	-	1	-	-	-	-	1
MDR-504GW-500(NA) QTY	-	-	1	-	-	-	1	-	-
MDR-504G-500(NA) QTY	-	-	-	-	-	1	1	-	-
MDR-504GW-1000(NA) QTY	-	-	1	-	-	-	-	1	-
MDR-504G-1000(NA) QTY	-	-	-	-	-	1	-	1	-
MDR-504GW-2000(NA) QTY	-	-	1	-	-	-	-	-	1
MDR-504G-2000(NA) QTY	-	-	-	-	-	1	-	-	1

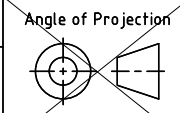
R1

NOTES:

1. REFERENCE INSTRUCTION MANUAL FOR FUNCTIONALITY.
2. ANY CUSTOMER MODIFICATION OF THIS PRODUCT CAUSING SUBSEQUENT FAILURE IS NOT A LIABILITY OF BRIGADE ELECTRONICS GROUP PLC.
3. MOBILE NETWORK AND WI-FI CAPABILITIES DEPEND ON MODEL AND AVAILABILITY.
4. VARIOUS SYSTEM OPTIONS A, B, C OR D CONTAIN RELEVANT COMPONENTS.

PROPRIETARY NOTICE

THIS DESIGN AND TECHNICAL INFORMATION APPEARING ON THIS DRAWING IS THE PROPERTY OF BRIGADE ELECTRONICS, AND IS DISCLOSED IN CONFIDENCE. IT IS NOT TO BE COPIED, REPRODUCED, REVEALED TO OR EXPROPRIATED BY OTHERS, EITHER IN WHOLE OR IN PART WITHOUT THE EXPRESS WRITTEN CONSENT OF BRIGADE ELECTRONICS.

Sheet No 3 of 3	Assembly Pl Approval SOFIA ZHANG		Approved by B. JOHN		Checked by R. PENTLEY		Drawn by L.PILLAY	
	Angle of Projection 		Units mm	Scale N/A	Released 03/05/17	Assembly Ref N/A		
Status RELEASED			MDR-504XX-XXXX-CU					
Part No VARIOUS			BE-003409-01-16					

